

CEM W-101A/W-102A/W-202A to a non-BHT control unit

Warning

The CEM has no fuse.
A fuse must be present in the heater control circuit.
Recommended fuse: 4A slow

Do not place the safety switch in the heater control circuit.

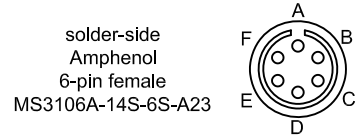
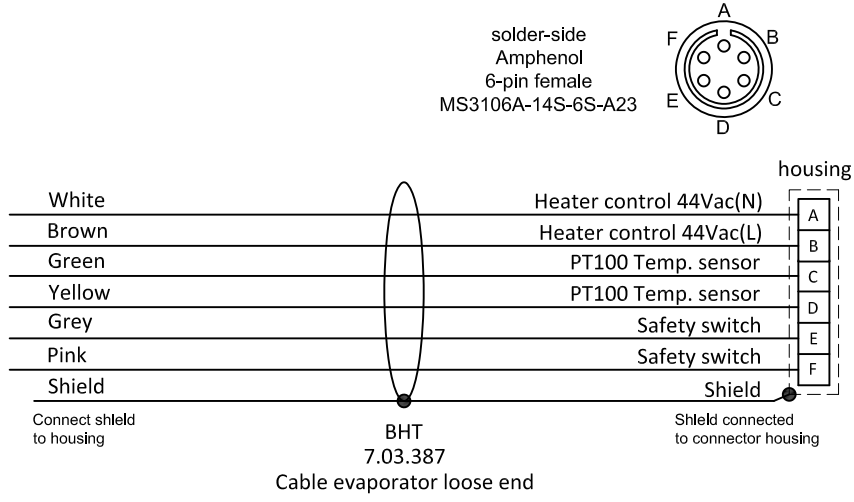
The CEM must be part of a temperature controlled system.

The PT100 in the CEM must be part of the temperature controlled system.

Safety Switch

Pepi Miniature Thermostat Model C.
Contacts open when temperature increases
operating temperature 200°C +/- 7K the thermostate case is electrical alive;
insulated by Nomex sleeve.
Switching power 12V or 24V dc 3A max.
Thermostate is not suitable for alternating current.

Power supply
44Vac max.
50-60Hz
Power 160VA max.



CEM
W-101A / W-102A / W-202A
7.01.880/7.01.881/7.01.882

