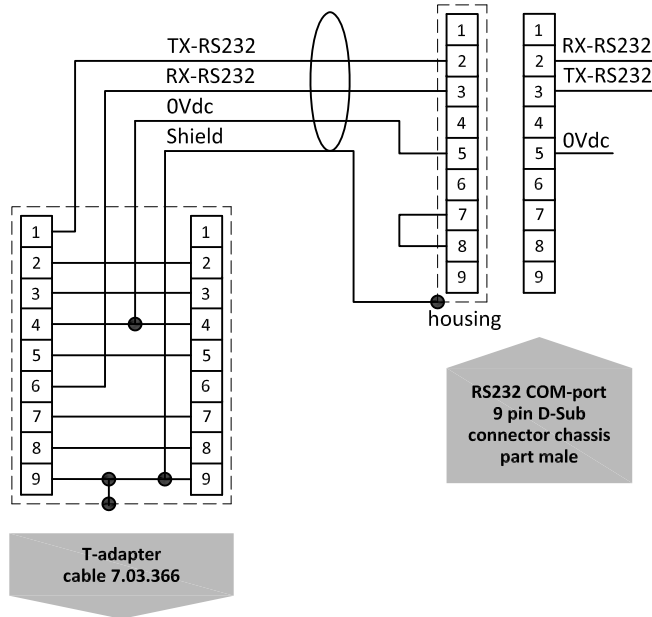
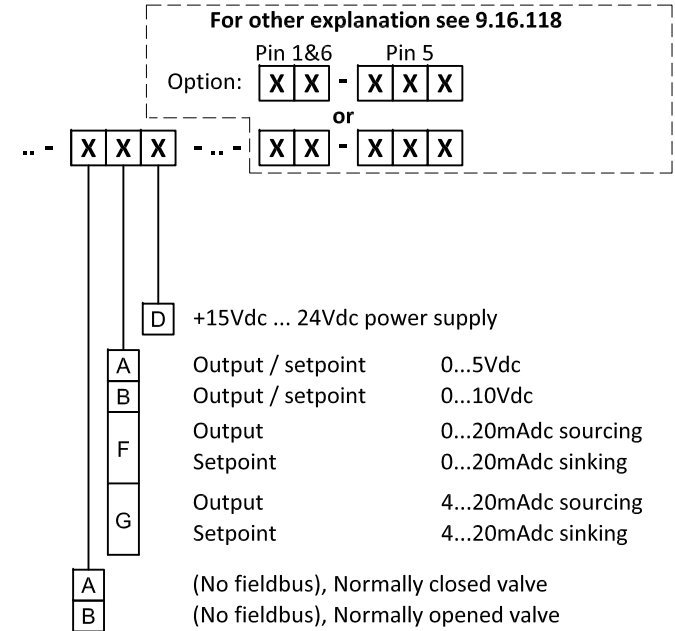


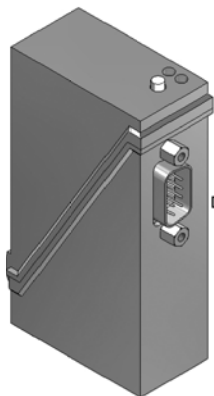
### RS232 connection <sup>2</sup>



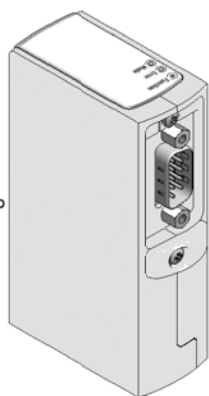
### Model key explanation



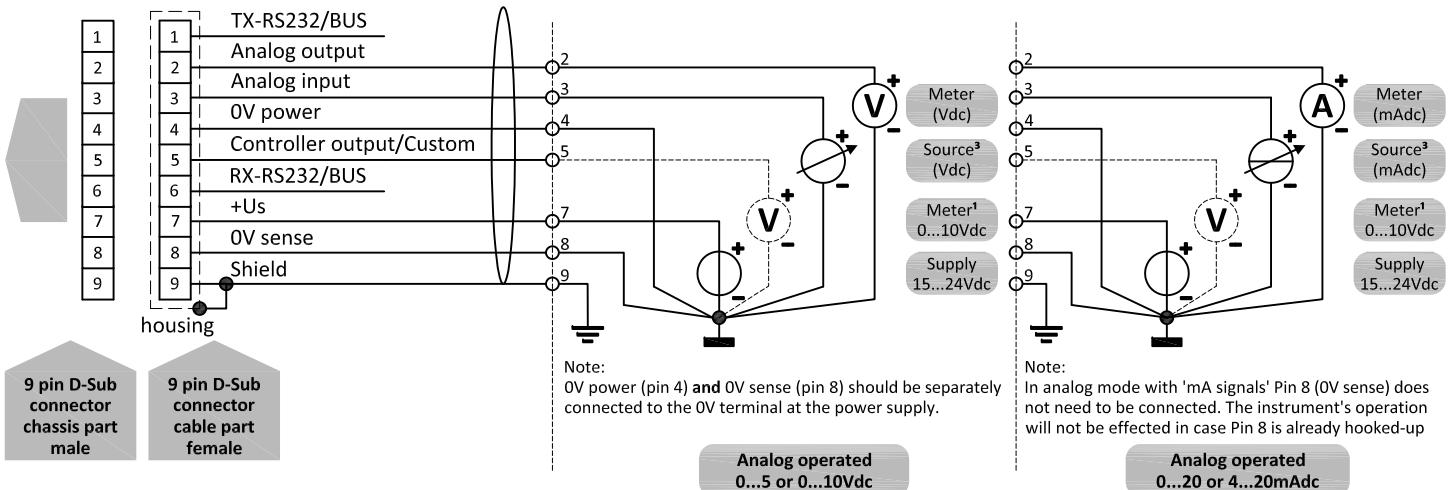
9 pin D-Sub Connector chassis part male



9 pin D-Sub



9 pin D-Sub



Note:

When using a field bus or RS232, it is not possible to operate the instrument by using the setpoint signal of the analog D-sub connector without changing the value of parameter "control mode". See doc.nr. 9.17.023 for more details.

Do not connect an external valve to instruments, set as MFM or EPM.