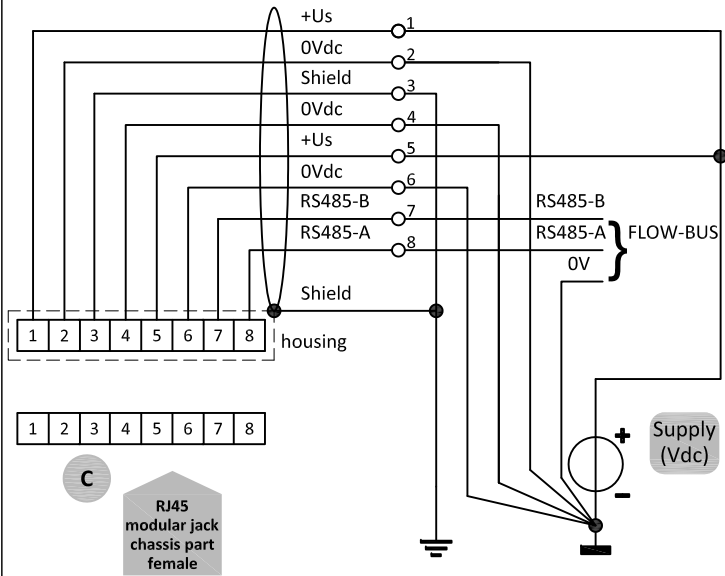
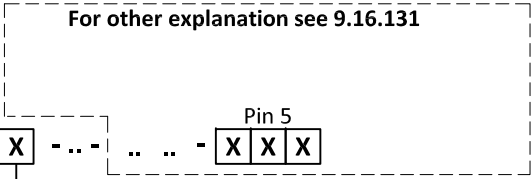


# FLOW-BUS

## FLOW-BUS connection

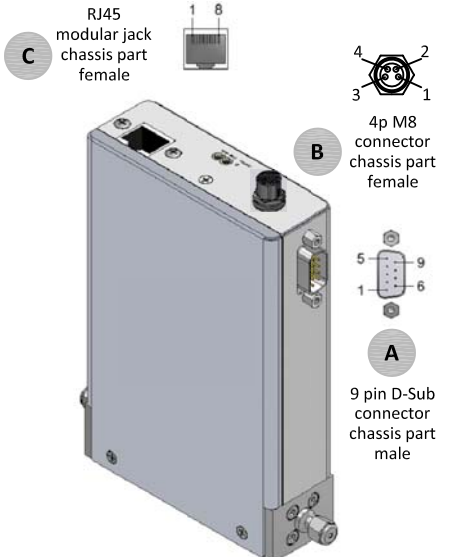


## Model key explanation

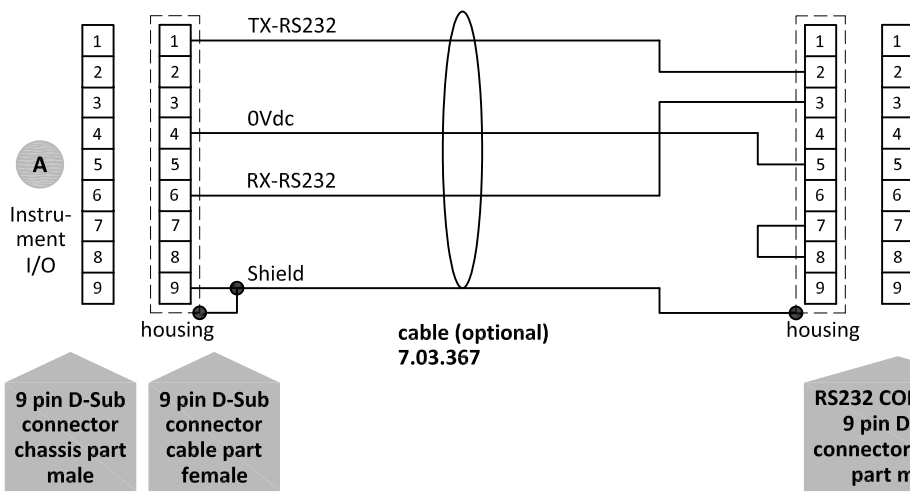


D	+15Vdc - 24Vdc power supply
A	Output / setpoint 0-5Vdc
B	Output / setpoint 0-10Vdc
F	Output 0-20mAdc sourcing
G	Setpoint 0-20mAdc sinking
R	Output 4-20mAdc sourcing
S	Setpoint 4-20mAdc sinking

(FLOW-BUS), Normally closed valve (NC)  
(FLOW-BUS), Normally opened valve (NO)



Note:  
For information about the optional B "Valve/Actuator" connector.  
See doc.nr. 9.16.131 for more details.



Note:  
When using a field bus or RS232, it is not possible to operate the instrument by using the setpoint signal of the analog D-sub connector without changing the value of parameter "control mode".  
See doc.nr. 9.17.023 for more details

Note:  
Do not connect an external valve to instruments, set as meter.

Note:  
Powering a single instrument is possible by the D-sub connector.  
Please consult 9.16.132 for a connection diagram.

9 pin D-Sub connector chassis part male    9 pin D-Sub connector cable part female    RS232 COM -port 9 pin D-Sub connector chassis part male